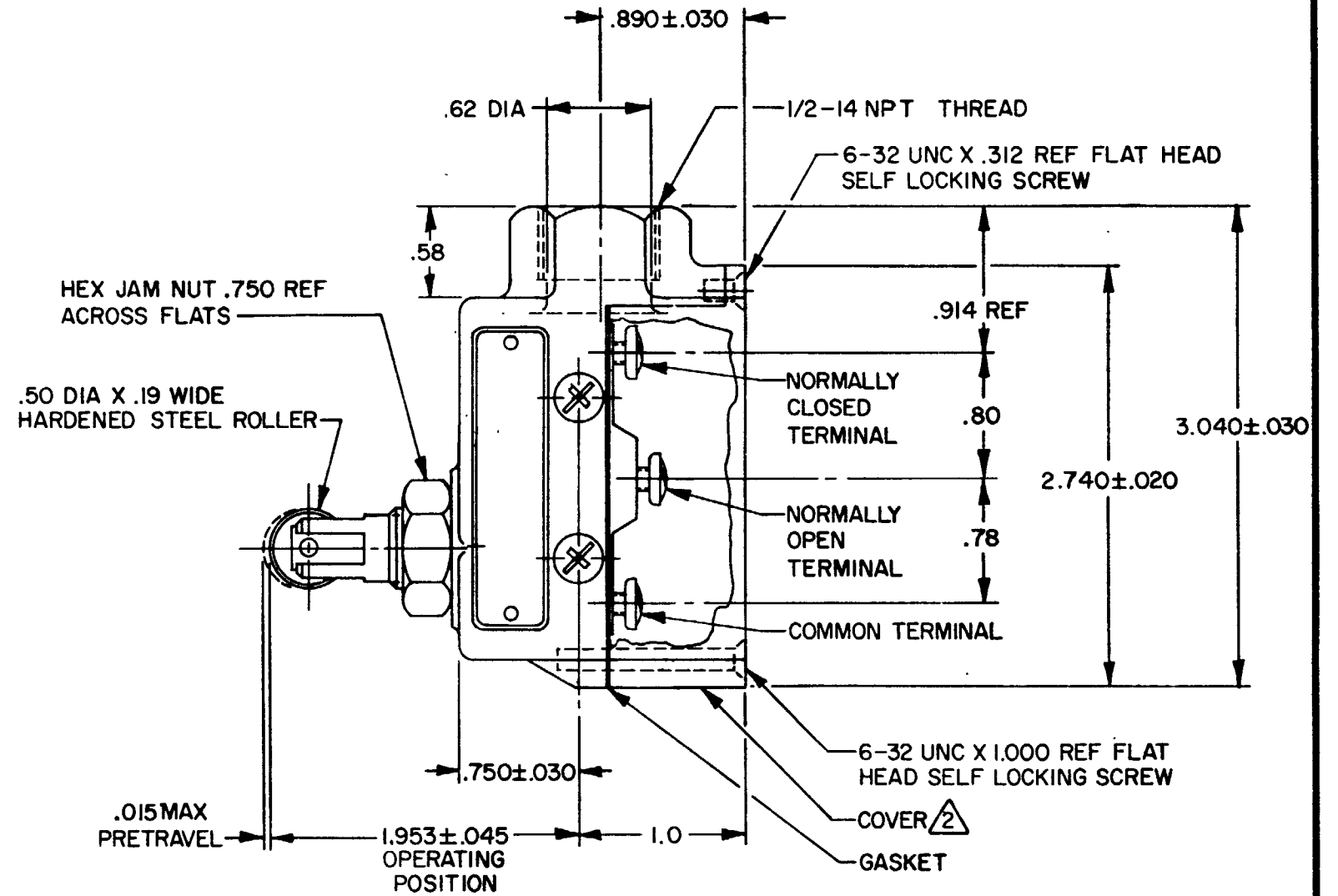
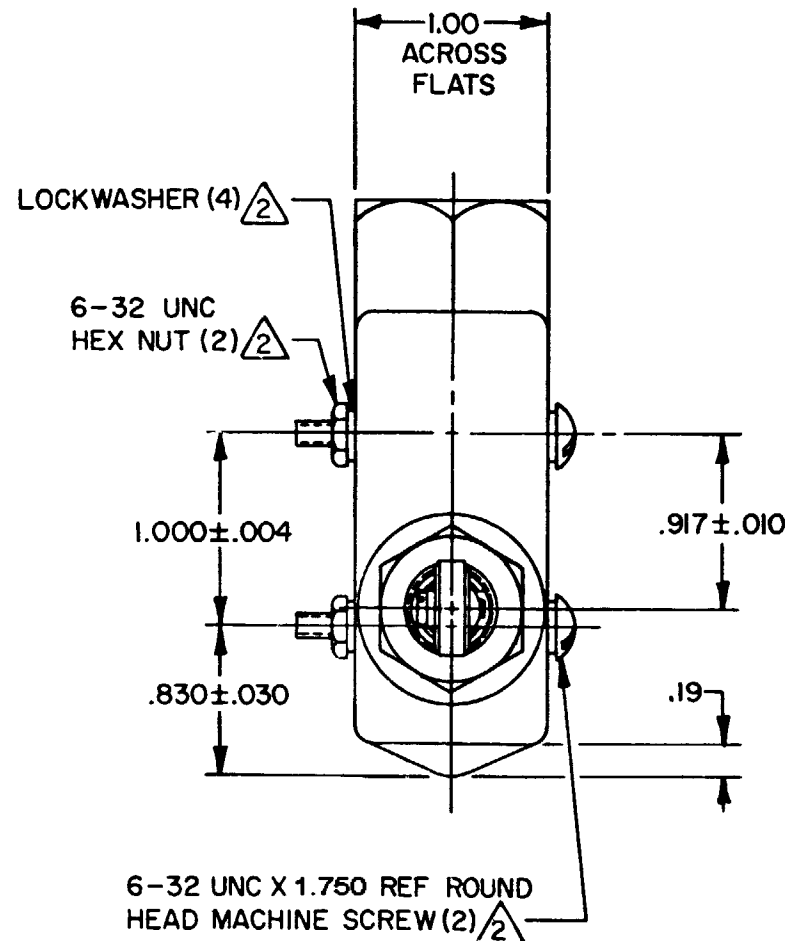


**MICRO SWITCH**  
 FREEPORT, ILLINOIS U.S.A  
 A DIVISION OF HONEYWELL  
 FED. MFG. CODE 91929

**SWITCH - ENCLOSED**

CATALOG LISTING  
**BZE6-2RQ9**

**BZE6-2RQ9**  
**M**  
 DRAWING NUMBER  
 ISSUE 10  
 PSR 29AUG07  
 CHECK 29AUG07  
 REVISIONS  
 A 38200-B  
 T M M  
 8 SEPT 77  
 B C05319-G  
 C J H  
 2 MAY 84  
 C C055989  
 J A S  
 6 NOV 84  
 D C054956  
 G J W  
 12 MAR 85  
 E C072618  
 L J F  
 11 SEP 92  
 F 0016894  
 K R B  
 10 NOV 05  
 G 0033014  
 B S  
 29AUG07  
 CHECK K P K 12 SEP 77  
 CHECK K P K 12 SEP 77  
 CHECK K P K 12 SEP 77  
 DRAWN  
 T M M  
 8 SEPT 77  
 RASTER  
 FO-5281-A



NOTES -

- 1 - 6-32 UNC X .219 REF BINDING HEAD TERMINAL SCREW AND CUPWASHER (3)
- 2 - FURNISHED UNASSEMBLED
- 3 - SEAL RATING: NEMA 1 IP40

THIS DRAWING COVERS A PROPRIETARY ITEM AND IS THE PROPERTY OF MICRO SWITCH, A DIVISION OF HONEYWELL. THIS DRAWING IS NOT TO BE COPIED OR USED WITHOUT THE APPROVAL OF MICRO SWITCH.

CHARACTERISTICS	ELECTRICAL DATA	SCALE FULL
OPERATING FORCE — — 9-13 OZ	CONTACT ARRANGEMENT S P D T	DO NOT SCALE PRINT
RELEASE FORCE — — 4 OZ MIN	15A-125, 250 OR 480 VAC, 2A-600 VAC 1/8 HP-125 VAC; 1/4 HP-250 VAC 1/2A-125 VDC; 1/4A-250 VDC CODE L74	UNLESS OTHERWISE NOTED DIMENSIONS ARE IN INCHES
DIFFERENTIAL TRAVEL — — .002 MAX		<b>TOLERANCES ARE:</b>
OVERTRAVEL — — .140 MIN		ONE PLACE (.0) ± .030 TWO PLACE (.00) ± .015 THREE PLACE (.000) ± .005 ANGLES
BASIC SWITCH REPLACEMENT — BZ-2RQ69	CE 1.5A, 240 Vac	WEIGHT .56 LB